

ASA Industrial Electric Screwdriver User's Manual (for full-automatic models—low volt. DC motor with controller)

After use

Storage and maintenance: when the unit is to be stored for a long period, remove the power supply and bit, open the carbon brush cover and blow out any accumulated carbon brush dust with compressed air, and wipe the exterior clean. Then store the screwdriver carefully in a dry, dust-free place away from direct sunlight. Store the bit in grease. To ensure continued serviceability, periodically check and maintain the screwdriver.

Troubleshooting

If the screwdriver does not work properly, check the list below. If you cannot solve the problem do not open the unit. Contact one of our authorized agents as soon as possible.

- If the screwdriver does not run
 - Check that the power supply is outputting power.
 - Check that the power supply plug is inserted properly and that output plug terminals No.1 (-) and NO.4 (+) show 30VDC (approximate) between them. If no output is shown, change the power supply.
 - Please note :For 6pin output power supply, pin3 and pin5 is to be shortened first when measuring the output voltage If no output is shown, change the start relay which it was built in the power supply box.
 - Check for a open or short circuit in the 5p-5p cord or 6p-6p connecting the screwdriver to the power supply. If an open or short circuit is found change the cord or plug. (use plug type 2G2021(5P) and 2G2022(6P) or purchase equivalent type)
 - Check that the rotation direction switch are working properly. If no 'click' is heard when a trigger is depressed, it is not working and must be replaced. (make sure to perform this check in a quiet place)
- If the screwdriver is not rotating normally
 - There is a protective circuit within the power supply. Power is only supplied normally from 3 to 5 seconds after current flow begins.
 - If the motor only runs intermittently during 'Forward' operation, try 'Reverse' operation, or rotate the anvil 90 degrees until a 'click' is heard, then re-attempt 'Forward' operation.
 - Long-term use causes the motor's commutator to wear down. In this case, it must be replaced. (this repair must be performed by one of our authorized agents)
- If the bit falls out easily or wobbles
 - check that the bit matches our specifications. If not, change the bit to one that does.
 - Check that the bit is inserted tightly into two guide channels within the anvil. If not, remove the bit and re-insert it tightly.
 - If the bit tends to wobble, remove the bit, rotate it 60 or 180 degrees and re-insert it.
- If the screwdriver does not stop when the selected torque is reached
 - An excessive torque setting can cause the screw to strip the threads, with the result that the clutch does not activate. Lower the torque to a level that does not cause stripping.
 - Differences in size between the bit tip and screw slot lengths can cause slopping. Change to a suitable bit tip.
 - The brake circuit may be damaged or the sensor switch may have shifted. (this repair must be performed by one of our authorized agents)

Warranty

We provide a one-year free repair service warranty with this product. The warranty is good for one year from the date of purchase entered on the Product Information Form. The retailer's stamp must appear on the form to confirm the date. However, the following circumstances we will charge the user for any parts and labor cost associated with repairs.

- For repairs involving normal wear to parts including carbon brushes, bits and power cord, and also to the exterior surface.
- If the screwdriver was connected to a power source of the incorrect voltage.
- If there was inappropriate use or an attempt to repair the unit by the user.
- After the period of the guarantee, or if the user cannot present the manual with stamped Product Information Form.

A Word of Thanks to Our Customers

Thank you for choosing lightweight and powerful electric screwdrivers. In order to insure maximum performance and product life, please read through this manual before using your screwdriver.

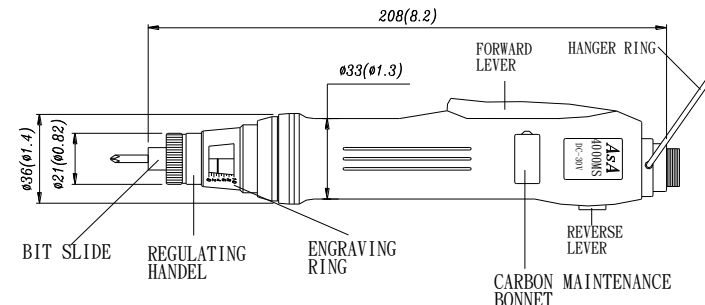
Feature

- Adopted the high precision , low inertia and low impact driving swiss's motor , long lift , high quality.
- Our screwdrivers are designed for use with precision torque locking screws. It can be used for assembly of small items such as mobile phone, cameras and eyeglasses, and large items such as home appliances, computers and furniture.
- Low vibration, low noise, meets environmental protection demands.
- Low-voltage electronic braking circuit for precision torque control, low breakdown rate and long product life.
- Connecting with soft start and speed adjustable function power supply, not only match to differ fastening condition, but also keep the best fastening quality.
- Design features separation of screwdriver and control for low repair costs and higher serviceability rate.
- Switching power supply plugs directly into screwdriver and supplies stable voltage, provides more accurate torque and longer motor life.
- Right-angle (90°) head adapter attaches easily to screwdriver for use in small spaces (>60mm), operates smoothly. (Optional)
- Ample torque, easy to control, not necessary to switch unit direction before switching direction of rotation, user can switch direction directly.
- Ergonomically designed exterior reduces work fatigue and increases productivity.

Specifications

Model	ASA-2000M	ASA-2000MS	ASA-3000M	ASA-3000MS	ASA-4000M	ASA-4000MS
Power source	30VDC					
Torque range kgf-cm/lbf-in	0.18-1.8/0.16-1.56		0.5-5.0/0.43-4.3		1.0-6.0/0.87-5.2	
No load speed rpm	400	1000	550	1000	550	1000
Torque setting	Stepless					
Available Screw	Machine Screw mm / in	1.0-2.2/0.04-0.09		1.0-2.6/0.04-0.10		1.4-2.6/0.06-0.10
	Tapping Screw mm / in	1.0-2.0/0.04-0.08		1.0-2.3/0.04-0.09		1.4-2.3/0.06-0.09
Weight g / lb	250/0.55(φ 4.0) 310/0.68(1/4" Hex shank)		310/0.68(φ 4.0) 370/0.8(1/4" Hex shank)		310/0.68(φ 4.0) 370/0.8(1/4" Hex shank)	
Length mm / in	208/8.2(φ 4.0), 228/9.0(φ 5 , 1/4" Hex shank)					
Available bit shank	φ 4.0, 1/4" Hex shank					
Power consumption W	30					
Available power supply	APS-24A , APS-24E , A3,APS-3,APS-301B					
Clutch impact	Just one time when torque up					

Outline (This drawing applies only to 4φ bit shank screwdrivers)



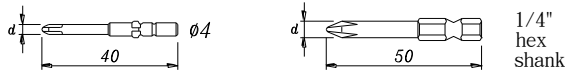
Retailer's Stamp	
------------------	--

© Specifications and design may be changed without notice for improvement(A-5)

Accessories

This product comes supplied with a pair off carbon brushes and two bits.

Bits (one set per screwdriver)



Bit specifications				Available Screwdriver Model
Tip No.	Tip diameter D ϕ 4.0 / 1/4"	P# ϕ 4	P# 1/4"	
#00	ϕ 1.7	7W1202	7W6204	ASA2000M
#00	ϕ 2.0	7W1402	7W6404	ASA2000MS
#00	ϕ 2.0	7W1522	7W6524	ASA3000M
#0	ϕ 2.5	7W1742	7W6744	ASA3000MS
#0	ϕ 2.5	7W1522	7W6524	ASA4000M
#1	ϕ 4.0/4.5	7W1742	7W6744	ASA4000MS

Power supply(optional)

Model	Dimension mm			Operation volt. (AC)	Output volt. (DC)	weight (g / 1b)	Approval
	L	W	H				
APS-301B	150	65	40	100-240V	30V/5P	350/0.77	UL,CE

- APS-24A/APS-24E/APS-301B are switching circuit power supplies. They are light and small, consume little electricity and supply stabile voltage.
- Stabilizer accessories : 2 locking ties, 2 pieces of double-sides tape(only for APS-24A/APS-24E/APS-30A/APS-30E)

Before use, read the following:

- Use the correct voltage: Carefully check the voltage shown on the power supply and this manual and determine the correct voltage. Only plug the unit into a power source of the correct voltage.
- Determine the appropriate torque range: choose the correct screwdriver for the torque you will require. To lengthen product life, avoid long-term high torque use.
- Make sure the screwdriver is undamaged: If the power code is scraped or damaged, it should be immediately unplugged and replaced to avoid electric shocks or a short circuit that could result in fire.
- Use in an appropriate work environment: To ensure safety, do not use in high temperature, high humidity environments or near flammable materials. Keep the power cord away from tools or equipment that might scrape or melt it.
- When plugging in or unplugging the power cord, hold the plug firmly. Never pull on the cord.

Method of operation and important points

- Driving and removing screw: insert the tip of the screwdriver bit accurately into the screw slot and press down lightly. To drive a screw, depress the 'Forward' trigger. To remove a screw, depress the 'Reverse' lever. Either of these actions will automatically engage the motor. If both the 'Forward' and 'Reverse' levers are depressed at the same time, the screwdriver will not rotate. Note: During operation, do not switch quickly between rotation

directions. Release one lever and wait for the motor to stop fully before depressing the other lever.

- Torque settings: Use the regulating handle to set the torque. Turning it in a clockwise direction into the screwdriver will increase the torque. Turning it counterclockwise out of the screwdriver will decrease the torque.
Note: The engraved markings on the engraving ring are for reference only and do not indicate torque output. Torque output can only be determined by repeated testing with a torque meter or hand-held spanner torque meter. To prevent your torque setting from being changed, we can provide a torque cover (optional) which covers and secures the regulating handle.

- Bit insertion: Use your finger to depress the slide sleeve into the screwdriver and insert an appropriate bit. When the slide sleeve is released, the bit will be automatically engaged.
Note: Do not hammer the bit in or pull it out forcibly.

- Secure screwdriver during operation: During operation, hang the screwdriver up securely (as from balancer) in order to prevent it from being knocked down and suffering external cracking, internal damage, or a snapped power cord.

- When the selected torque is reached: This product features an internal clutch assembly. When a screw is driven and the selected torque is reached, the clutch assembly will automatically disengage and a 'click' will be heard. At this point, even if the 'forward' trigger is not released, the power to the motor will be automatically cut off.
Note: When driving screw, grasp the screwdriver firmly in order to prevent upwards recoil generated by the clutch release from forcing the screwdriver bit edge form the screw slot and damaging slot.

- When removing screws: when a previously driven screw cannot be removed using the same torque that it was driven with, raise the torque setting. After the screw is removed, return the regulating handle to its original setting. To simplify this operation, note the number 'click' sounds generated as the regulating handle is turned.

- Operational frequency: suggest the operational frequency 1/4"(ON/OFF)second, the total screws 7000pcs/8hours, don't over our operational frequency suggest, and avoid the inside part of screwdriver serious damage. If everyday work 8hours upward, please use two screwdriver by turns, protect the life of screwdrivers.

- Changing the carbon brush: insert a slotted hand screwdriver with a 2mm to 4mm head edge into the slot and lever up the carbon maintenance bonnet. Then remove the carbon brush fastener spring. Loosen the carbon brush guide cord fastener screw and pull the carbon brush guide cord to remove the carbon brush. Insert a new carbon brush and then follow the above steps in reverse order.

Note:

- When changing the carbon brush first unplug the screwdriver Use a factory specification carbon brush.
- The notch on the carbon brush surface must face into the direction of the rotor rotate

Guide for 5P plug-in

Guide for 6P plug-in

